

Gauge Data Recorder (GDR):

✓ Properties:

- Infrared transmission and high speed data downloading
- 5 years battery life
- IEC 60529 IP68, portable in installation
- Multiple GDR simulations installation and operation
- Fixed time interval recording setting (32000 readings recording capability)

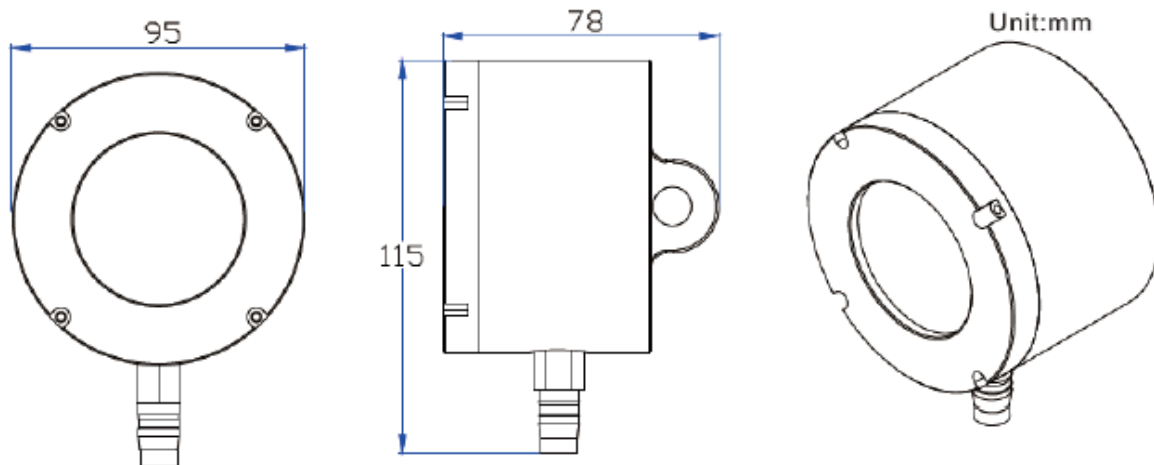


✓ Applications:

- DMA, Leakage detection
- Pressure monitoring
- Piping, monitoring, valve maintenance
- Pipe and valve water resistance
- Data recording for abnormal water pressure detection

GDR Communication Structure:





Front view

Side view

3-D view

Technical properties:

Model	GDR
Communication Protocol	1/4" Quick Connector
Connection Interface	Inferred Transmission
Applicable Pressure Range	0 ~ 10 bar (0 ~ 145 psi) (Customized Acceptable)
Accuracy	± 0.05% F.S
Working Temperature	-20°C ~ 70°C
Enclosure Rating	IEC 60529 IP68
Power Supply	Lithium Battery
Battery Life	Battery Life Up to 5 Years (Battery Replacement)
Case Material	Aluminum
Dimensions	115 mm (Height) x 95 mm (width)
Weight	800 gr
Recording Capacity	32000 Readings